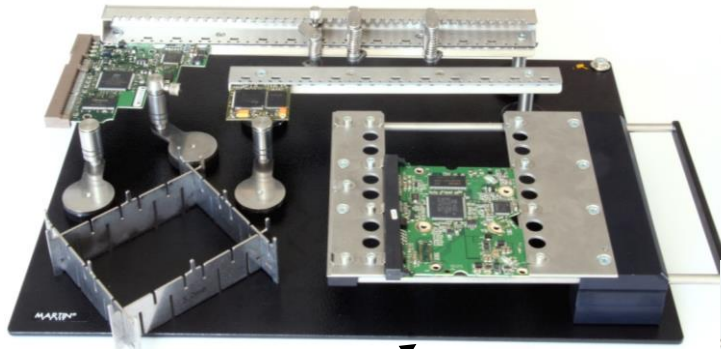


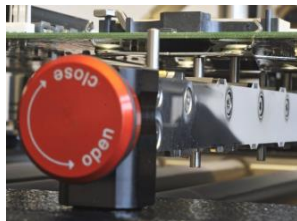
## PCB SUPPORT SYSTEM



PCB-Support Series 40.5mm



PCB-Support Series 55.5mm



Flex Support



Magnet Holder



Securing PCBs in place during hand soldering sometimes becomes a tricky task. PCB edge-connectors or dense population of components can make clamping and supporting PCBs difficult, especially if PCB are asymmetrical or non-rectangular.

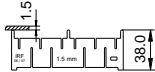
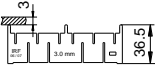

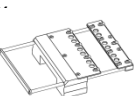






MARTIN PCB support tools use magnets and are flexible to move on a steel plate to secure a PCB at its optimum location. The PCB supports are designed to clamp the PCB typically over a bottom heater. PCB Holders are top-justified and spring loaded for repeatable positioning. This simple method has proven to be reliable over many years.

To accommodate different size bottom heaters, two PCB support heights are available: One with a free clearance of 55,5mm and one with 40,5mm.

For large size PCBs, MARTIN offers bottom side supports which can be installed underneath the PCB. Providing bottom side support, sometimes necessary for some applications to prevent deflection and to maintain co-planar surfaces.





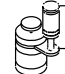







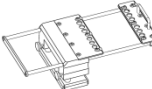

# TECH INFO – PCB SUPPORT SYSTEM

## PCB Support Tools 40.5mm Series

HF00.0018	Handy Fix 03/06 base plate only 280*380mm		
SF30.0004	PCB support h=40.5mm for IRF02/06/07, pcb=1.5mm		
SF30.0005	PCB support h=40.5mm for IRF02/06/07, pcb=3mm		
SF03.0004	PCB magnet holder h=40.5mm for IR/IRD/IRH/IRF/HIF and DL/RD		
SF03.0014	PCB magnet holder Easy Lock h=40.5mm (snap) for IR/IRD/IRH/IRF/HIF		
SF03.0010	PCB support rail for IR/IRD/IRH radiator, h=40,5mm, L=223mm		
SF33.0010	PCB magnet holder rail for IRF radiator h=40,5mm, l=300mm		
SF01.0100	PCB clip for use with IRF/HIF handrest or magnet holder rail		
SF03.0019	PCB clamping holder with 3 fingers, for mobile phone pcs on HB05/IRx/HIF,h=40.5mm		
SF36.1005	PCB flex support h=40.5mm for HIF 10, "18 pin", l=760 mm		
SF36.1002	PCB flex support h=40.5 mm for HIF 09, "12 pin", l=520 mm		
SF36.1001	PCB flex support h=40.5 mm for HIF 08 and IRF, "10 pin", l=440 mm		
SF36.1007	PCB fix support h=40.5mm for HIF 10, "9 pin", l=760 mm		
SF36.1004	PCB fix support h=40.5mm for HIF 09, "6 pin", l=515 mm		
SF36.1003	PCB fix support h=40.5mm for HIF 08 and IRF, "4 pin", l=360 mm		

# TECH INFO – PCB SUPPORT SYSTEM

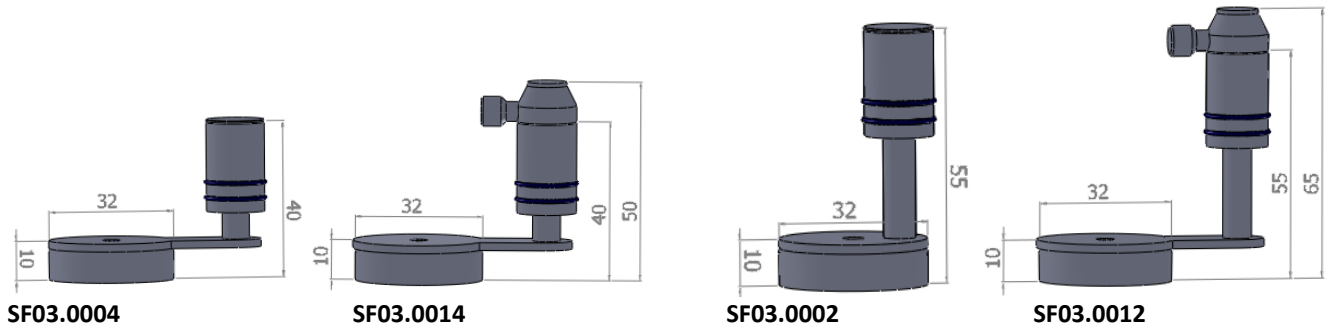
## PCB Support Tools 55.5mm Series

SF03.0002	PCB Magnet Holder h=55.5mm for HB 03/04, Handy Fix		
SF03.0012	PCB magnet holder Easy Lock h=55.5mm (snap) for HB 03/04, Handy Fix		
SF03.0005	PCB magnet holder adjustable h=55.5=>69.5mm, for HB 03/04, Handy Fix		
SF03.0011	PCB support rail for HB03/04 Handy Fix, h=55.5mm, l=223mm		
SF33.0014	PCB magnet holder rail for HB03/04, h=55.5mm, l=300mm		
SF01.0100	PCB clip for use with IRF/HIF handrest or magnet holder rail		
SF04.0020	PCB clamping holder with 3 fingers, adjustable h=55.5=>69.5mm, for HB 03/04, Handy Fix		

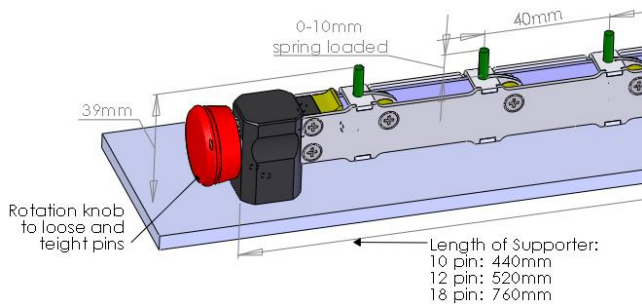
# TECH INFO – PCB SUPPORT SYSTEM

## Dimensions and Sizes

### Technical Details of Magnet Holder

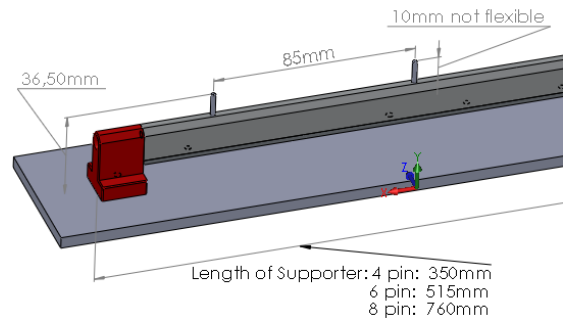


### Technical Details of Flex-Support



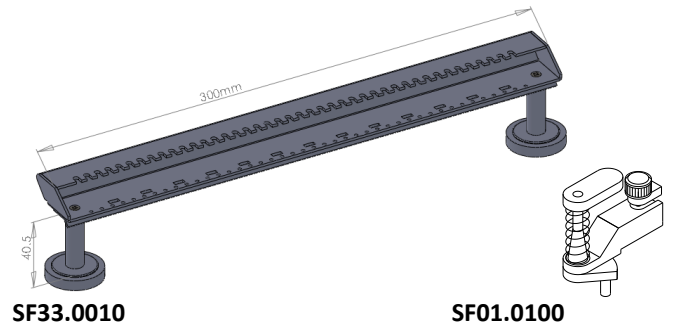
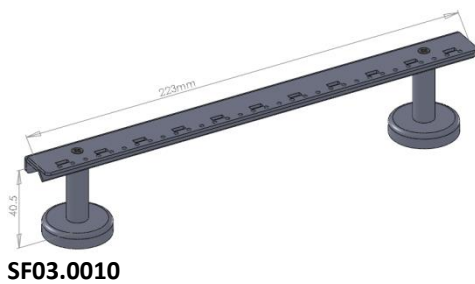
**SF36.1001 and SF36.1002 and SF36.1005**

### Technical Details of Fix-Support

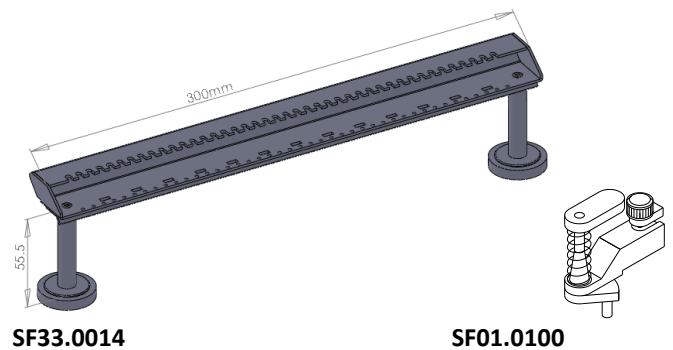
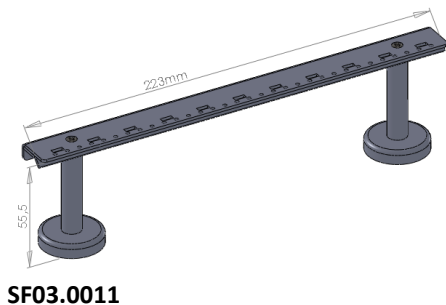


**SF36.1003 and SF36.1004 and SF36.1007**

### Technical Details of PCB Support Rails and Magnet Holder Rails - Series 40.5mm



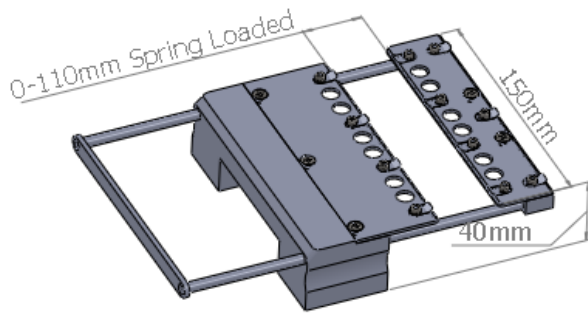
### Technical Details of PCB Support Rails and Magnet Holder Rails - Series 55.5mm



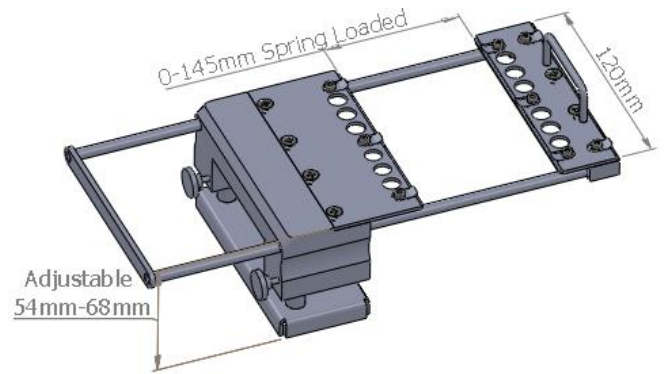
# TECH INFO – PCB SUPPORT SYSTEM

## Dimensions and Sizes

### Technical Details of Magnet Clamp Holder

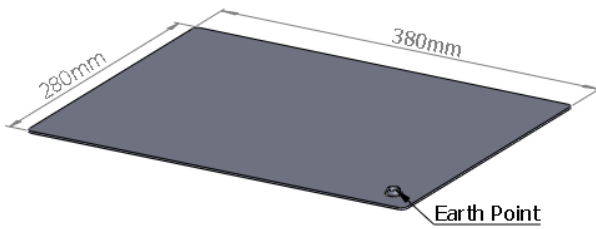


SF03.0019



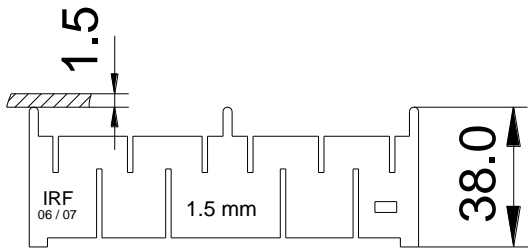
SF04.0020

### Technical Details of Base Plates

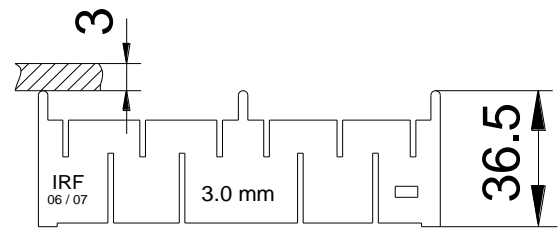


HF00.0018

### Technical Details of PCB Support



SF30.0004



SF30.0005